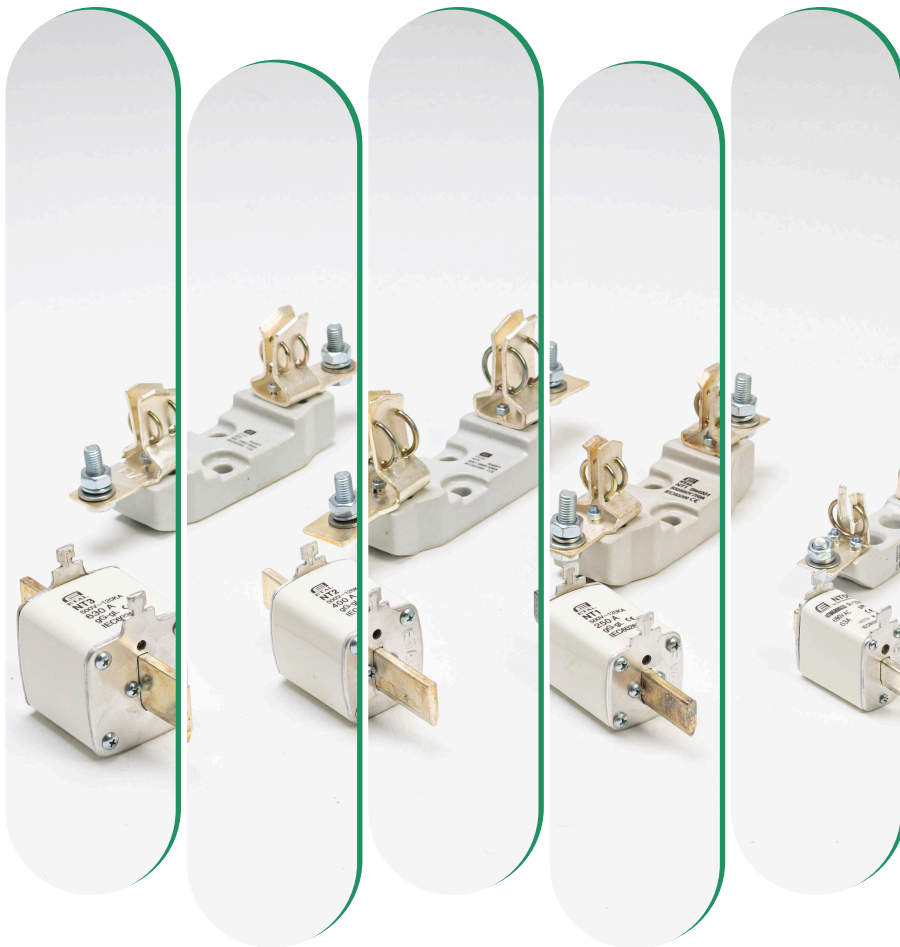
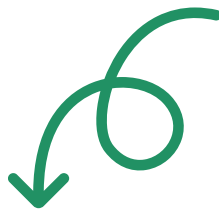


HRC FUSE & BASE



FUSE LINKS – NT

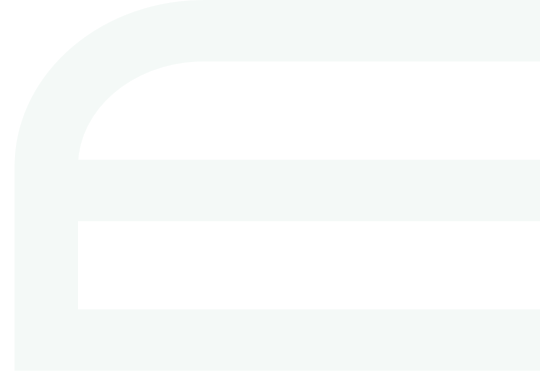
Selection Chart For Blade Type Fuse-Links - NT

Product	Size of the fuse link	Part No.	Rating	Rated Watt loss (W)	Watt loss limits as per IS 13703	Type NT
	Size 00	NT00GL 69HR10	10A	1.1	100 Amp. Fuse-6.5 W	100, 125, 160
		NT00GL 69HR16	16A	2.4		100, 125, 160
		NT00GL 69HR20	20A	2.4		100, 125, 160
		NT00GL 69HR25	25A	3.2		100, 125, 160
		NT00GL 69HR32	32A	5.0		100, 125, 160
		NT00GL 69HR40	40A	5.0		100, 125, 160
		NT00GL 69HR50	50A	5.0		100, 125, 160
		NT00GL 69HR63	63A	5.3		100, 125, 160
		NT00GL 69HR80	80A	6.2		100, 125, 160
		NT00GL 69HR100	100A	7.0		100, 125, 160
		NT00GL 69HR125	125A	8.5		100, 125, 160
		NT00GL 69HR160	160A	12.0		100, 125, 160
	Size 1	NT1GL 69HR63	63A	5.7	250 Amp. Fuse-34 W	100, 125, 160
		NT1GL 69HR80	80A	8.3		200
		NT1GL 69HR100	100A	9.1		200, 250, 315
		NT1GL 69HR125	125A	10.3		200, 250, 315
		NT1GL 69HR160	160A	12.3		250, 315
		NT1GL 69HR200	200A	14.3		250, 315
		NT1GL 69HR250	250A	17.3		250, 315
		NT2GL 69HR200	200A	14.1		400
	Size 2	NT2GL 69HR250	250A	16.9	400 Amp. Fuse-34 W	400
		NT2GL 69HR315	315A	20.2		400
		NT2GL 69HR400	400A	24.9		400
		NT3GL 69HR315	315A	20.5		630, 800
	Size 3	NT3GL 69HR400	400A	26.7	630 Amp. Fuse-48 W	630, 800
		NT3GL 69HR630	630A	42.2		630, 800
		NT3GL 69HR800	800A	48		800

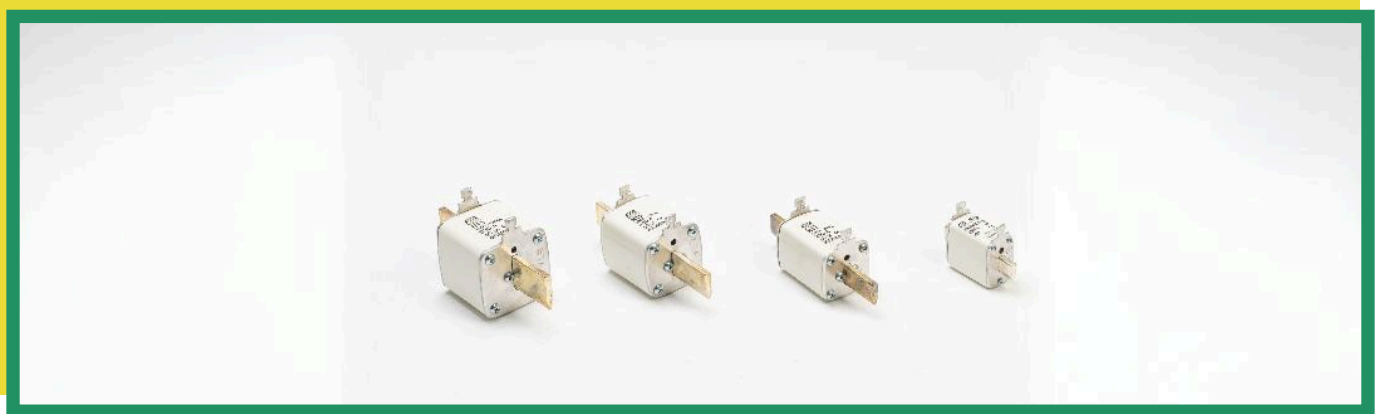
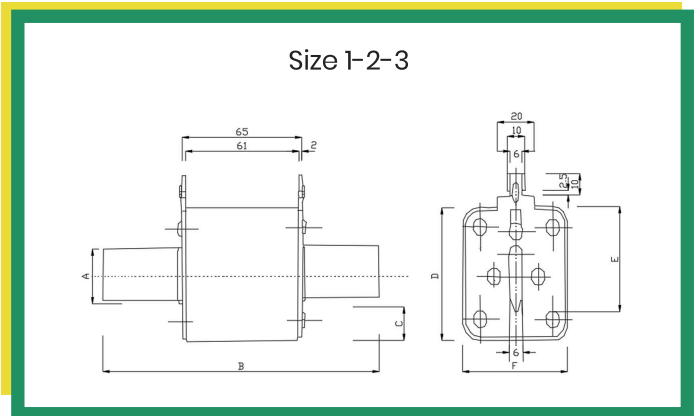
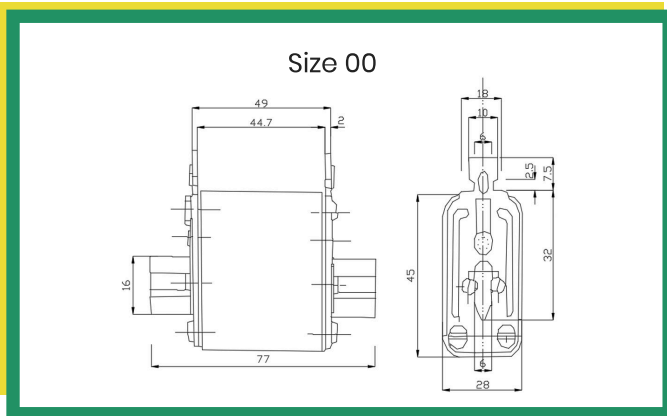
Guidelines For Selection While Selecting Fuse-Links, The Following Points Should Be Considered:

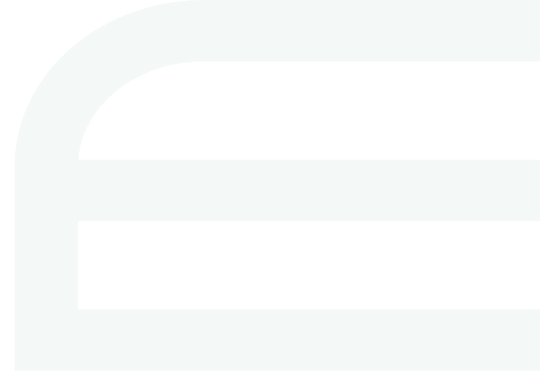
- ⚡ Fuse-Links Type NT Are Suitable For System Voltage Up To 415 V+
- ⚡ Select The Suitable Size And Rating Of Fuse-Link For Switch-Disconnecter Fuse Unit As Per The Fuse Selection Chart
- ⚡ Ensure That The Breaking Capacity Of The Fuse Link Is Higher Than The Prospective Fault Current
- ⚡ Fuses Should Be Selected Such The Discrimination Is Achieved With Other Protective Devices In The System

FUSES



Type	A	B	C	D	E	F	KG
Size 1	20	135	12	48	38	48	0.390
Size 2	25	147.5	14	58	45	58	0.570
Size 3	32	147.5	17	66	50	66	0.760





Type	Dimensions in mm								Weight In KG
	a	b	c	d	e	f	g	h	
NT00	129	60	68	53	89	55	52	45	0.228
NT1	200	78	118	78	153	125	--	--	0.600
NT2	200	84	136	85	153	125	--	--	0.790
NT3	225	93	149	80	153	125	--	--	0.825

