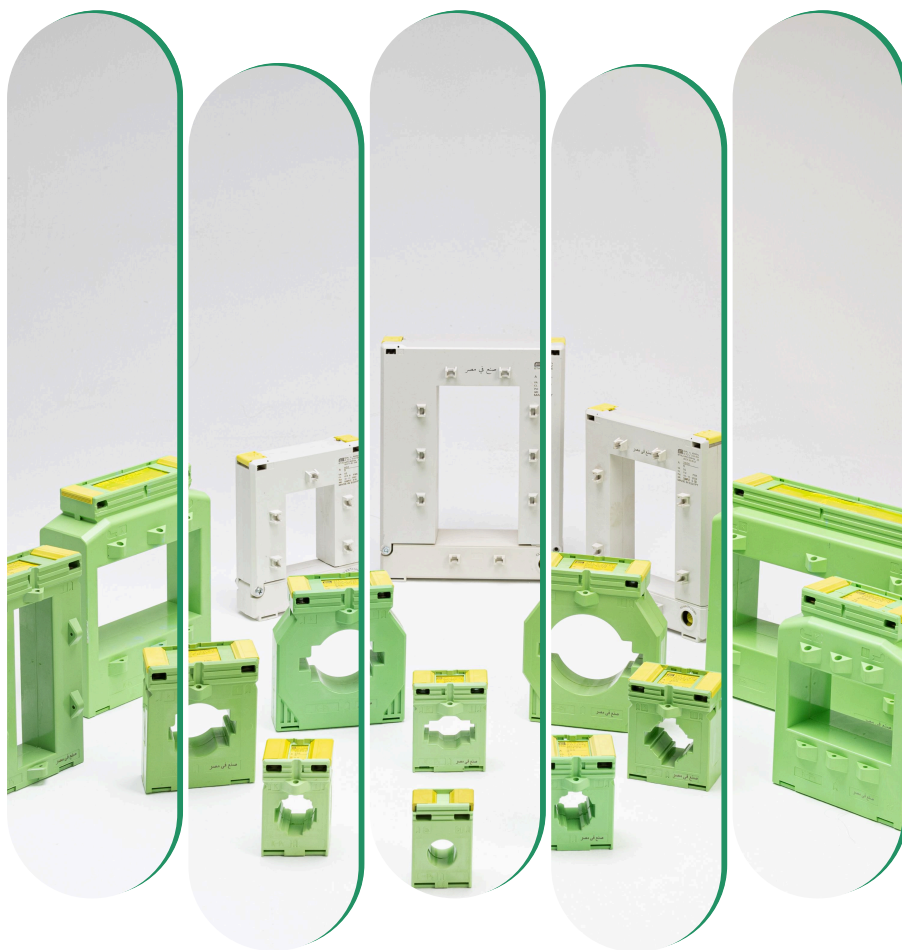
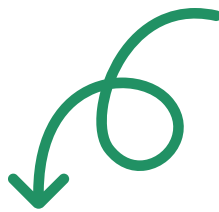
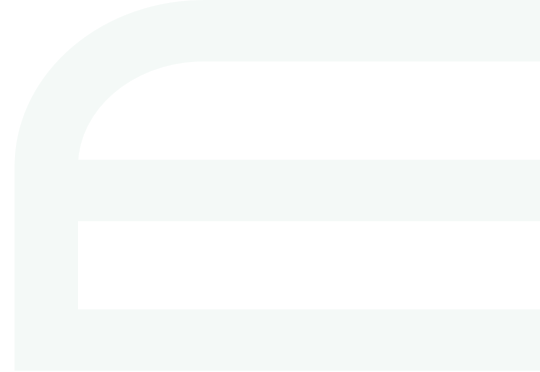


CURRENT TRANSFORMERS



CURRENT TRANSFORMERS



Our current transformers complies with the international technical norms:

- ⚡ Current transformers are all made from breaking strength, inflammable and self-extinguishing polycarbonate welded by an ultrasonic machine.
- ⚡ Secondary terminal connectors made of nickel plated-brass profiles, each are equipped with 2 screws.

Our product range:

- ⚡ Low voltage-current transformer for industrial applications in the precision class from 0.2s to 1 – primary nominal currents 1 – 7000A

General technical declaration:

- ⚡ Standards: IEC 60044-1 | IEC 60185 / IEC 61869
- ⚡ Location: Indoor installation
- ⚡ Operating temperature: Up to 55 °C
- ⚡ Measuring voltage: 3 KV for 1 min
- ⚡ Max.allowed operating voltage: 0.72 KV
- ⚡ Measuring frequency: 50HZ
- ⚡ Nominal thermal short-time current > 60 In

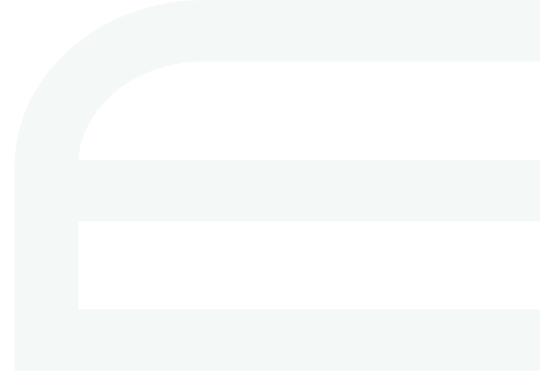
SELECTION TABLE

Current Transformer Burden (VA)

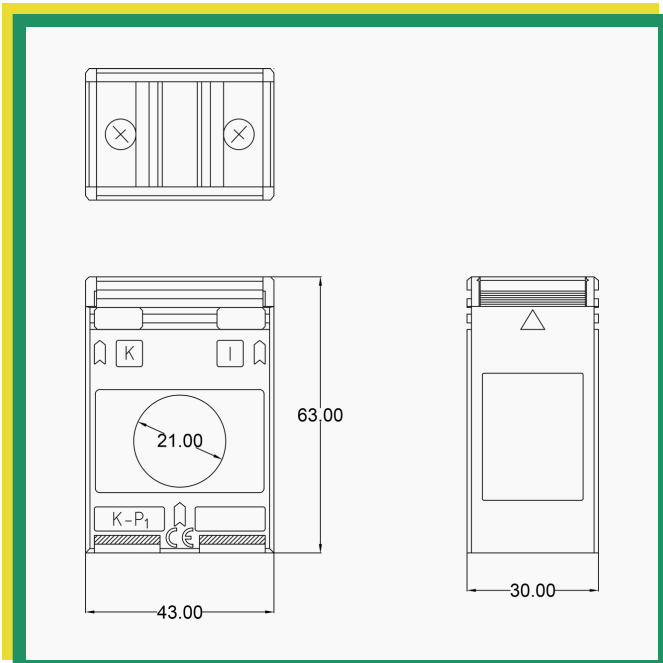
Type Primary current	ECT-20/B			ECT-3.5			ECT-3.6			ECT-4.6			ECT-4.7			ECT-30			ECT-30/B			ECT-40			
	0.2	0.5/0.5S	1	0.2	0.5/0.5S	1	0.2	0.5/0.5S	1	0.2	0.5/0.5S	1	0.2	0.5/0.5S	1	0.2	0.5/0.5S	1	0.2	0.5/0.5S	1	0.2	0.5/0.5S	1	
5																									
10																									
15																									
20																									
25																									
30																									
40																									
50																									
60																									
75																									
80																									
100																									
125																									
150																									
160																									
200																									
250																									
300																									
400																									
500																									
600																									
630																									
750																									
800																									
1000																									
1200																									
1250																									
1500																									
1600																									
2000																									
2500																									
3200																									

Type Primary current	ECT-40/B			ECT-6.9			ECT-8.12			ECT-10.13			ECT-12.17			ECT-13.10			ECT-13.16			ECT-21.25			
	0.2	0.5/0.5S	1	0.2	0.5/0.5S	1	0.2	0.5/0.5S	1	0.2	0.5/0.5S	1	0.2	0.5/0.5S	1	0.2	0.5/0.5S	1	0.2	0.5/0.5S	1	0.2	0.5/0.5S	1	
5																									
10																									
15																									
20																									
25																									
30																									
40																									
50																									
60																									
75																									
80																									
100																									
125																									
150																									
160																									
200																									
250																									
300																									
400																									
500																									
600																									
630																									
750																									
800																									
1000																									
1200																									
1250																									
1500																									
1600																									
2000																									
2500																									
3200																									
3000																									
4000																									
5000																									
6000																									
7000																									

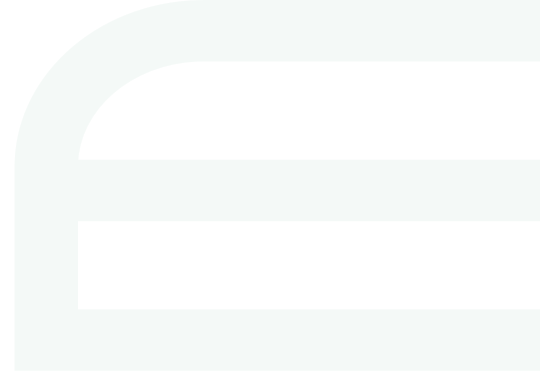
ECT - 20/B



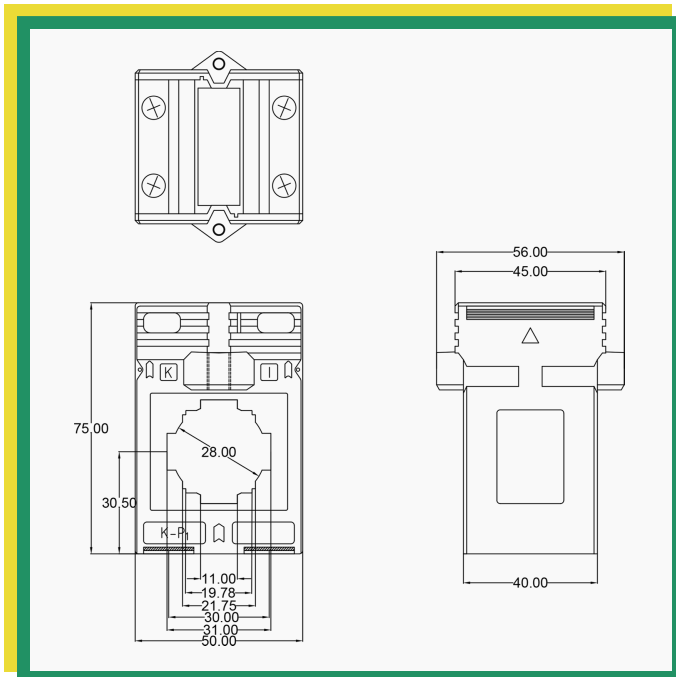
Primary Current	Accuracy Class	Burden (VA)					
		0.2		0.5/0.5s		1	
		5	1	5	1	5	1
125						1	1
150				2.5	2.5	2.5	2.5
160				2.5	2.5	2.5	2.5
200				2.5	2.5	5	5
250		1	1	2.5	2.5	5	5



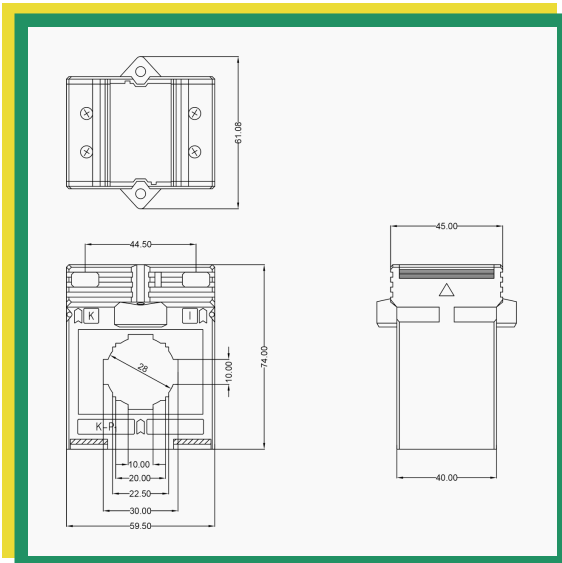
ECT - 3.5



Primary Current	Accuracy Class	Burden (VA)					
		0.2		0.5/0.5s		1	
		5	1	5	1	5	1
160						2.5	2.5
200						2.5	2.5
250				1	1	2.5	2.5
300				1	1	2.5	2.5
400		1	1	2.5	2.5	5	5
500		1	1	2.5	2.5	5	5
600		2.5	2.5	5	5	5	5

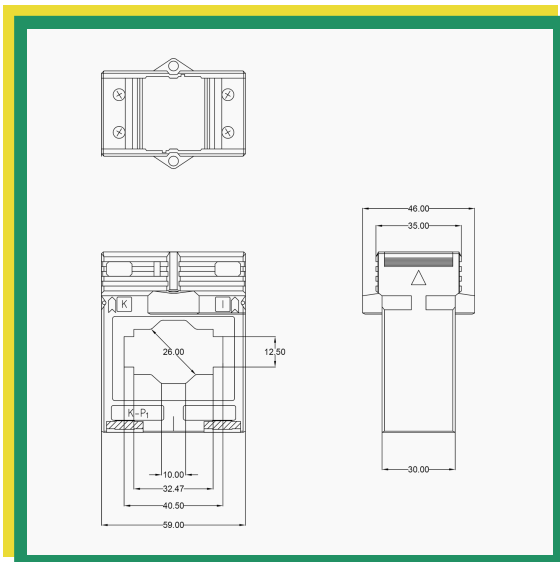


Primary Current	Accuracy Class	Burden (VA)					
		0.2		0.5/0.5s		1	
		5	1	5	1	5	1
75				1	1	2.5	2.5
80				1.5	1.5	2.5	2.5
100				2.5	2.5	3.75	3.75
125				2.5	2.5	3.75	3.75
150				2.5	2.5	7.5	7.5
160				5	5	7.5	7.5
200		2.5	2.5	10	10	10	10
250		2.5	2.5	10	10	15	15
300		5	5	10	10	15	15
400		5	5	10	10	15	15
500		5	5	10	10	15	15
600		5	5	10	10	15	15



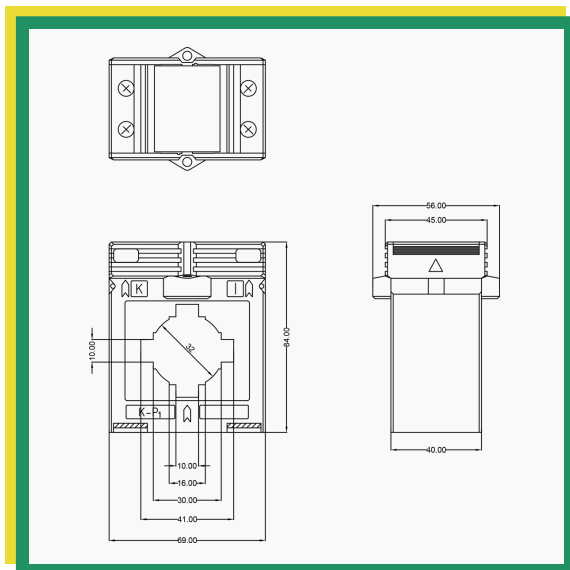
ECT - 4.6

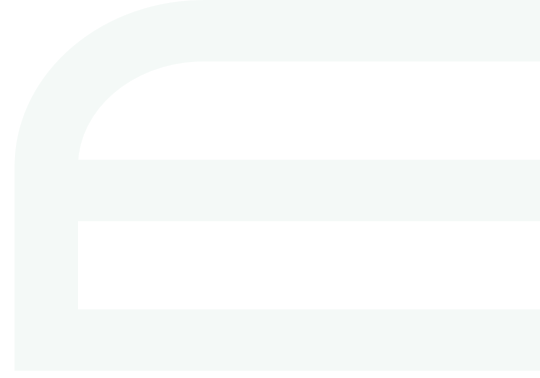
Primary Current	Accuracy Class	Burden (VA)					
		0.2		0.5/0.5s		1	
		5	1	5	1	5	1
125						1	1
150						2.5	2.5
160				1	1	2.5	2.5
200				1	1	2.5	2.5
250				2.5	2.5	5	5
300				2.5	2.5	5	5
400				2.5	2.5	5	5
500		2.5	2.5	5	5	10	10
600		2.5	2.5	5	5	10	10
630		2.5	2.5	5	5	10	10
750		2.5	2.5	5	5	10	10
800		2.5	2.5	5	5	15	15



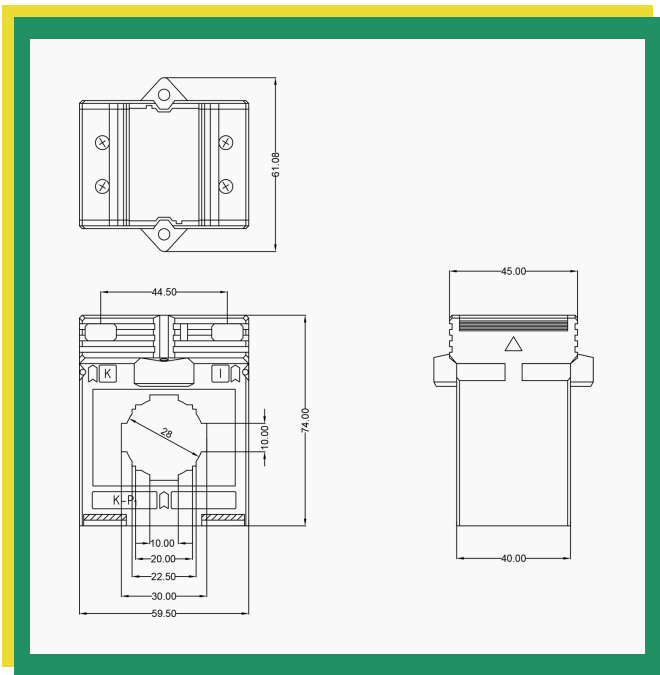
ECT - 4.7

Primary Current	Accuracy Class	Burden (VA)					
		0.2		0.5/0.5s		1	
		5	1	5	1	5	1
75				1	1	2.5	2.5
80				1	1	2.5	2.5
100				2.5	2.5	3.75	3.75
125				2.5	2.5	3.75	3.75
150				2.5	2.5	7.5	7.5
160				5	5	7.5	7.5
200		2.5	2.5	10	10	10	10
250		2.5	2.5	10	10	15	15
300		5	5	10	10	15	15
400		5	5	10	10	15	15
500		5	5	10	10	15	15
600		5	5	10	10	15	15
630		5	5	15	15	15	15
750		5	5	15	15	30	30
800		5	5	15	15	30	30
1000		5	5	15	15	30	30

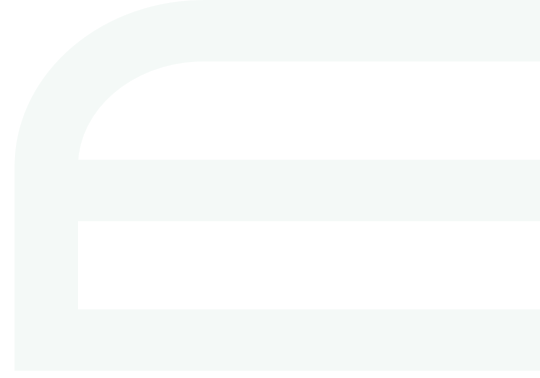




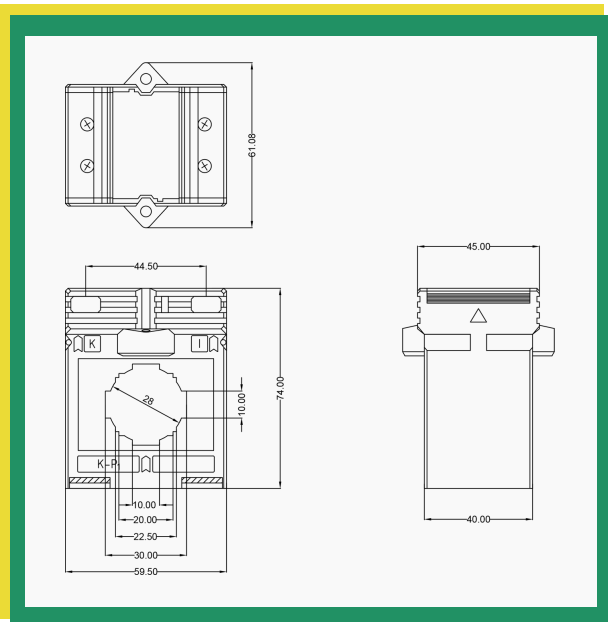
Primary Current	Accuracy Class	Burden (VA)					
		0.2		0.5/0.5s		1	
		5	1	5	1	5	1
5				2.5	2.5	2.5	2.5
10				2.5	2.5	2.5	2.5
15				2.5	2.5	2.5	2.5



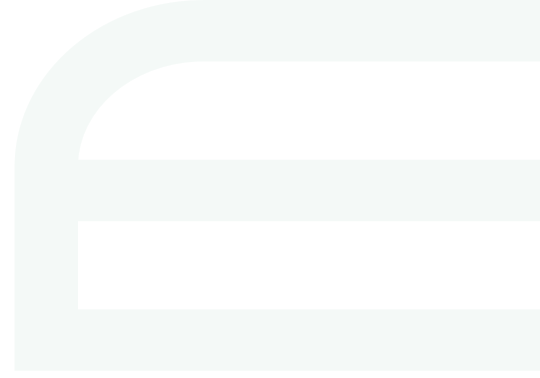
ECT - 30/B



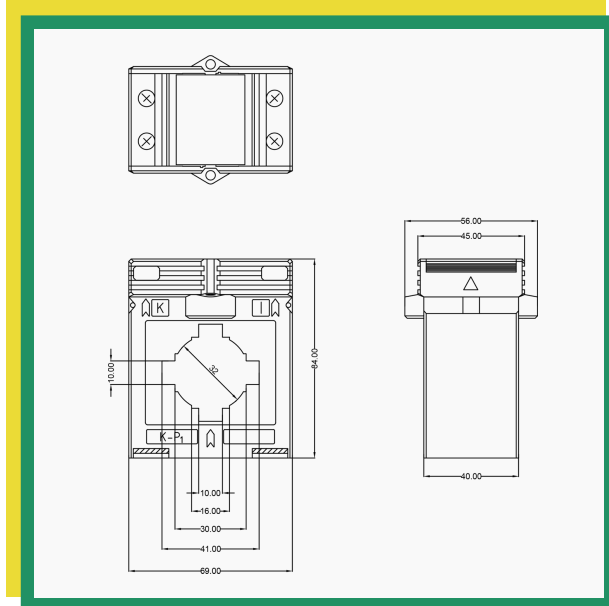
Primary Current	Accuracy Class	Burden (VA)					
		0.2		0.5/0.5s		1	
		5	1	5	1	5	1
5				2.5	2.5	2.5	2.5
10				2.5	2.5	2.5	2.5
15				2.5	2.5	2.5	2.5
20				2.5	2.5	5	5
25				5	5	5	5
30				5	5	10	10
40				5	5	10	10



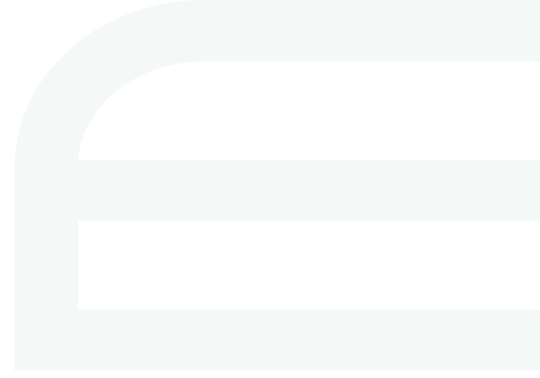
ECT - 40



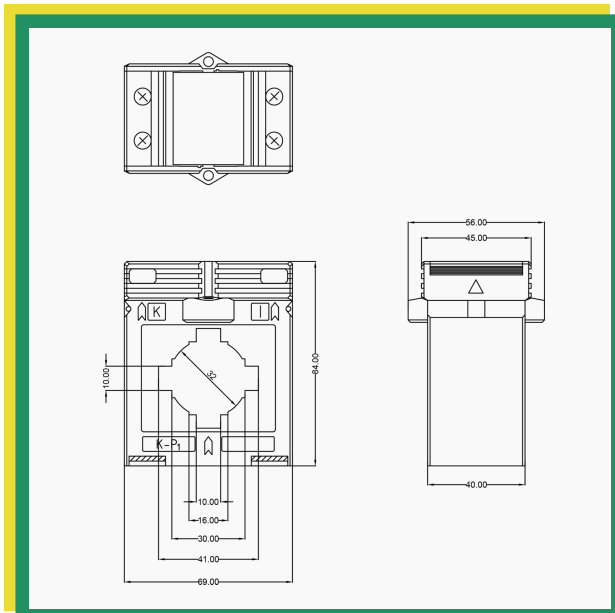
Primary Current	Accuracy Class	Burden (VA)					
		0.2		0.5/0.5s		1	
		5	1	5	1	5	1
5				2.5	2.5	2.5	2.5
10				2.5	2.5	2.5	2.5
15				2.5	2.5	2.5	2.5



ECT - 40/B

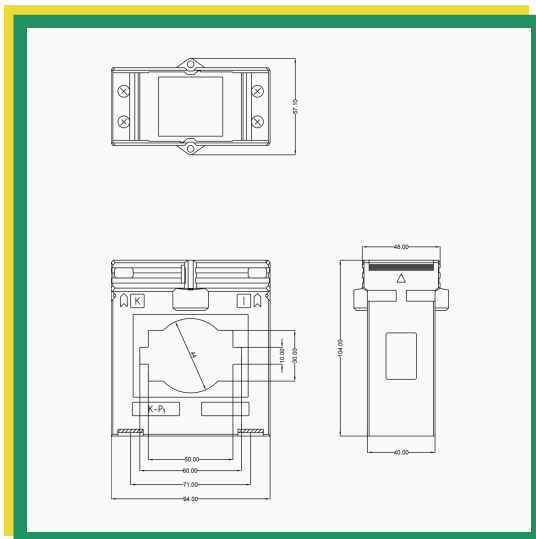


Primary Current	Accuracy Class	Burden (VA)					
		0.2		0.5/0.5s		1	
		5	1	5	1	5	1
5				2.5	2.5	2.5	2.5
10				2.5	2.5	2.5	2.5
15				2.5	2.5	2.5	2.5
20				2.5	2.5	5	5
25				5	5	5	5
30				5	5	10	10
40				5	5	10	10



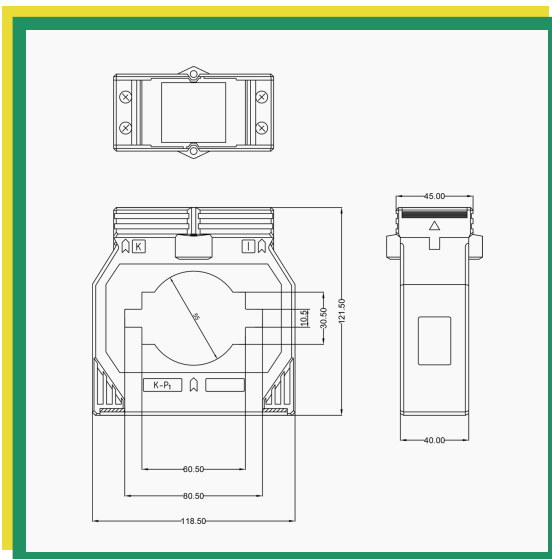
ECT - 6.9

Primary Current	Accuracy Class	Burden (VA)					
		0.2		0.5/0.5s		1	
		5	1	5	1	5	1
100						2.5	2.5
125				1	1	2.5	2.5
150				1	1	2.5	2.5
160				1	1	2.5	2.5
200				2.5	2.5	2.5	2.5
250				2.5	2.5	5	5
300				2.5	2.5	5	5
400		2.5	2.5	10	10	10	10
500		2.5	2.5	10	10	15	15
600		5	5	10	10	15	15
630		5	5	10	10	15	15
750		5	5	15	15	15	15
800		5	5	15	15	15	15
1000		5	5	15	15	30	30
1200		10	10	15	15	30	30
1250		10	10	15	15	30	30
1500		10	10	15	15	30	30
1600		10	10	15	15	30	30



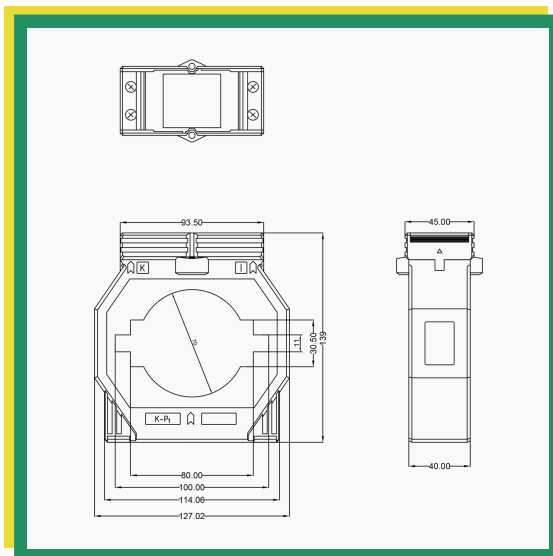
ECT - 8.12

Primary Current	Accuracy Class	Burden (VA)					
		0.2		0.5/0.5s		1	
		5	1	5	1	5	1
200						2.5	2.5
250						2.5	2.5
300						2.5	2.5
400				2.5	2.5	5	5
500		2.5	2.5	10	10	10	10
600		2.5	2.5	10	10	10	10
630		5	5	10	10	10	10
750		5	5	10	10	15	15
800		5	5	10	10	15	15
1000		5	5	15	15	30	30
1200		10	10	15	15	30	30
1250		10	10	15	15	30	30
1500		10	10	15	15	30	30
1600		10	10	15	15	30	30
2000		10	10	15	15	30	30
2500		10	10	15	15	30	30



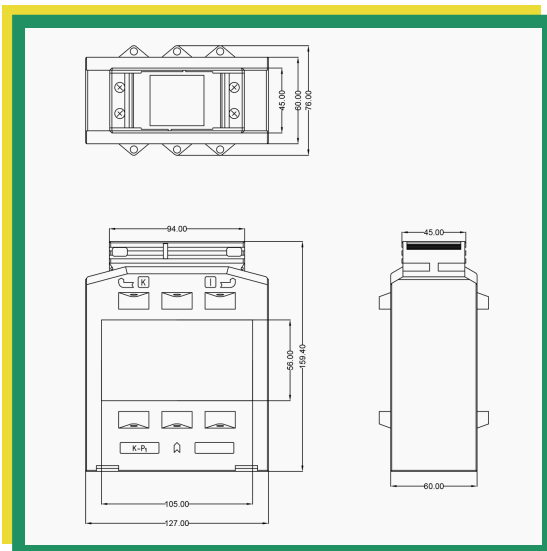
ECT - 10.13

Primary Current	Accuracy Class	Burden (VA)					
		0.2		0.5/0.5s		1	
		5	1	5	1	5	1
200						1	1
250						2.5	2.5
300						2.5	2.5
400						2.5	2.5
500				5	5	5	5
600		2.5	2.5	5	5	10	10
630		2.5	2.5	5	5	10	10
750		5	5	5	5	10	10
800		5	5	10	10	20	20
1000		5	5	10	10	20	20
1200		10	10	15	15	30	30
1250		10	10	15	15	30	30
1500		10	10	15	15	30	30
1600		10	10	15	15	30	30
2000		10	10	15	15	30	30
2500		10	10	15	15	30	30
3200		10	10	15	15	30	30



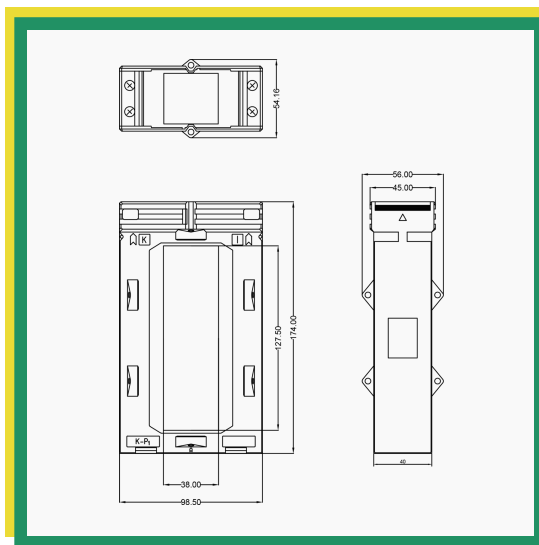
ECT - 12.17

Primary Current	Accuracy Class	Burden (VA)					
		0.2		0.5/0.5s		1	
		5	1	5	1	5	1
600				2.5	2.5	5	5
630				2.5	2.5	5	5
750		2.5	2.5	5	5	10	10
800		5	5	10	10	20	20
1000		5	5	10	10	20	20
1200		10	10	15	15	30	30
1250		10	10	15	15	30	30
1500		10	10	15	15	30	30
1600		10	10	15	15	30	30
2000		10	10	15	15	30	30
2500		10	10	15	15	30	30
3200		10	10	15	15	30	30
3000		10	10	15	15	30	30
4000		10	10	15	15	45	45

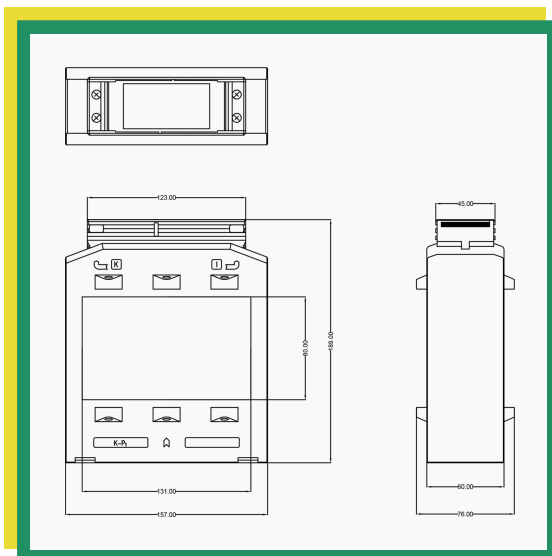


ECT - 13.10

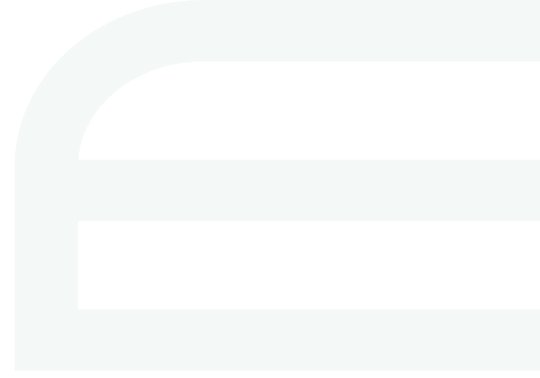
Primary Current	Accuracy Class	Burden (VA)					
		0.2		0.5/0.5s		1	
		5	1	5	1	5	1
500				2.5	2.5	5	5
600		5	5	10	10	10	10
630		5	5	10	10	10	10
750		5	5	10	10	20	20
800		5	5	10	10	20	20
1000		5	5	10	10	20	20
1200		10	10	15	15	30	30
1250		10	10	15	15	30	30
1500		10	10	15	15	30	30
1600		10	10	15	15	30	30
2000		10	10	15	15	30	30
2500		10	10	15	15	30	30
3200		10	10	15	15	30	30
3000		10	10	15	15	30	30
4000		10	10	15	15	45	45



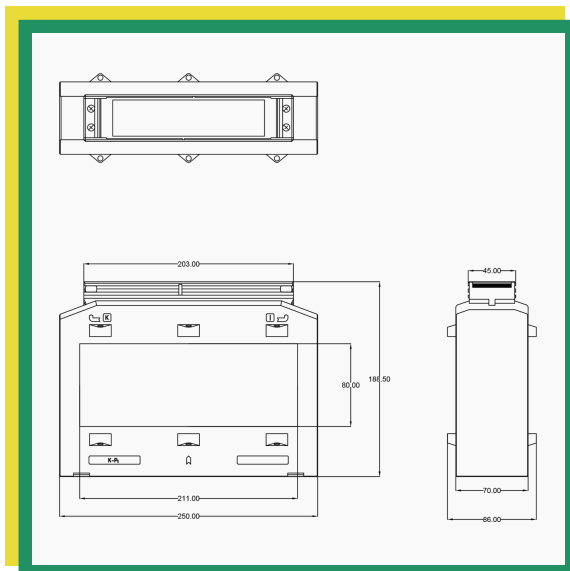
Primary Current	Accuracy Class	Burden (VA)					
		0.2		0.5/0.5s		1	
		5	1	5	1	5	1
1000		2.5	2.5	10	10	15	15
1200		2.5	2.5	10	10	15	15
1250		2.5	2.5	10	10	15	15
1500		10	10	15	15	30	30
1600		10	10	15	15	30	30
2000		10	10	15	15	30	30
2500		10	10	15	15	30	30
3200		10	10	15	15	30	30
3000		10	10	15	15	30	30
4000		10	10	15	15	45	45
5000		10	10	15	15	45	45
6000		10	10	15	15	45	45



ECT - 21.25

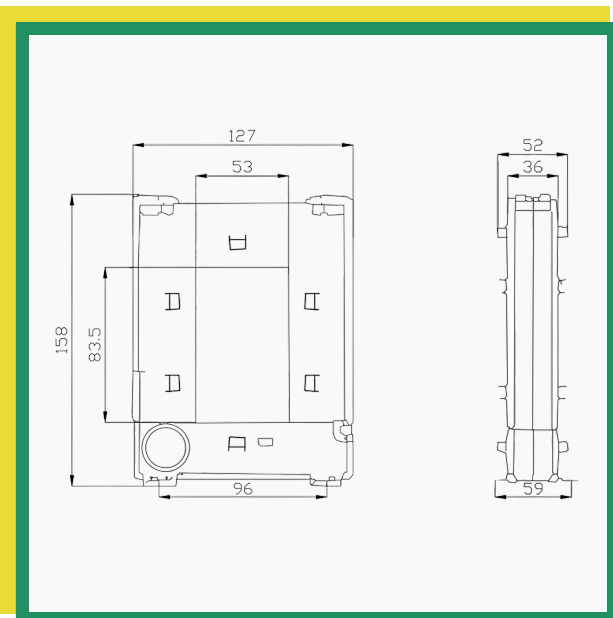


Primary Current	Accuracy Class	Burden (VA)					
		0.2		0.5/0.5s		1	
		5	1	5	1	5	1
1500		10	10	15	15	30	30
1600		10	10	15	15	30	30
2000		10	10	15	15	30	30
2500		10	10	15	15	30	30
3200		10	10	15	15	30	30
3000		10	10	15	15	30	30
4000		10	10	15	15	45	45
5000		10	10	15	15	45	45
6000		10	10	15	15	45	45
7000		10	10	15	15	45	45



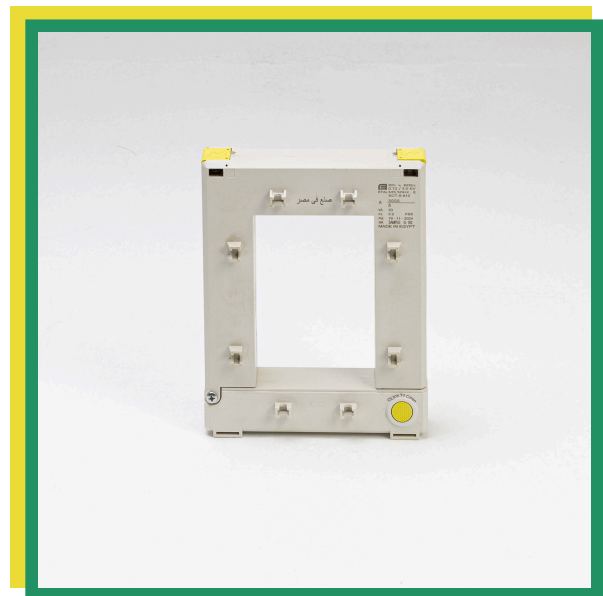
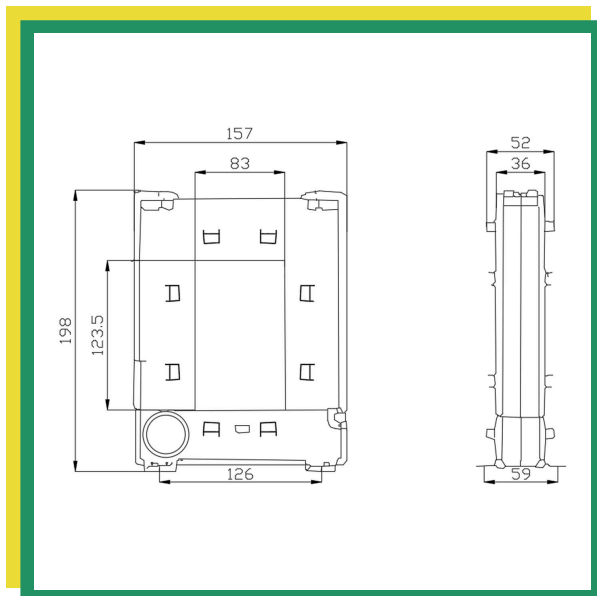
ECT - S-58

Primary Current	Accuracy Class	Burden (VA)					
		0.2		0.5/0.5s		1	
		5	1	5	1	5	1
250						2.5	2.5
300				2.5	2.5	5	5
400				5	5	5	5
500		2.5	2.5	5	5	5	5
600		2.5	2.5	5	5	10	10
800		5	5	10	10	10	10
1000		5	5	10	10	10	10



ECT - S-812

Primary Current	Accuracy Class	Burden (VA)					
		0.2		0.5/0.5s		1	
		5	1	5	1	5	1
500				2.5	2.5	5	5
600				2.5	2.5	5	5
800		2.5	2.5	5	5	5	5
1000		2.5	2.5	10	10	10	10
1200		5	5	10	10	10	10
1500		5	5	10	10	10	10
1600		10	10	10	10	10	10
2000		10	10	15	15	15	15
2500		10	10	15	15	15	15



ECT - S-816

Primary Current	Accuracy Class	Burden (VA)					
		0.2		0.5/0.5s		1	
		5	1	5	1	5	1
1000		2.5	2.5	10	10	15	15
1200		5	5	10	10	15	15
1500		5	5	10	10	15	15
1600		5	5	10	10	20	20
2000		5	5	15	15	25	25
2500		10	10	15	15	30	30
3000		10	10	15	15	30	30
4000		10	10	15	15	30	30
5000		10	10	15	15	30	30
6000		10	10	15	15	30	30
7000		10	10	15	15	30	30

